

Mirage Activa™ LT

NASAL MASK

Fitting Guide



1

- Turn the MicroFit dial to position 24, so that the forehead support is fully extended.



2

- Disconnect the lower headgear clip, hold the mask over the nose and pull the headgear over the head.
- Reconnect the lower headgear clip ensuring it clicks into place.



3

- Keep the bottom straps loose to allow room for the cushion to inflate. Use two fingers as a guide.



4

- Connect one end of the air tubing to the swivel and the other end to the airflow device.



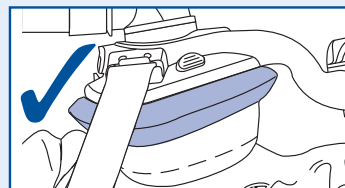
5

- Turn on the airflow device.

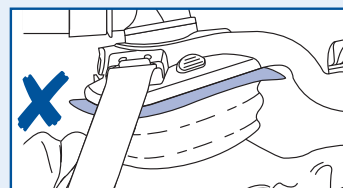


6

- While lying down, adjust the dial for comfort and seal.



- If the mask is fitted correctly, the cushion should be smooth and fully inflated.



- If fitted incorrectly, the cushion will be creased and underinflated.

⚠ For details, refer to the *Mirage Activa LT Nasal Mask User Guide*.

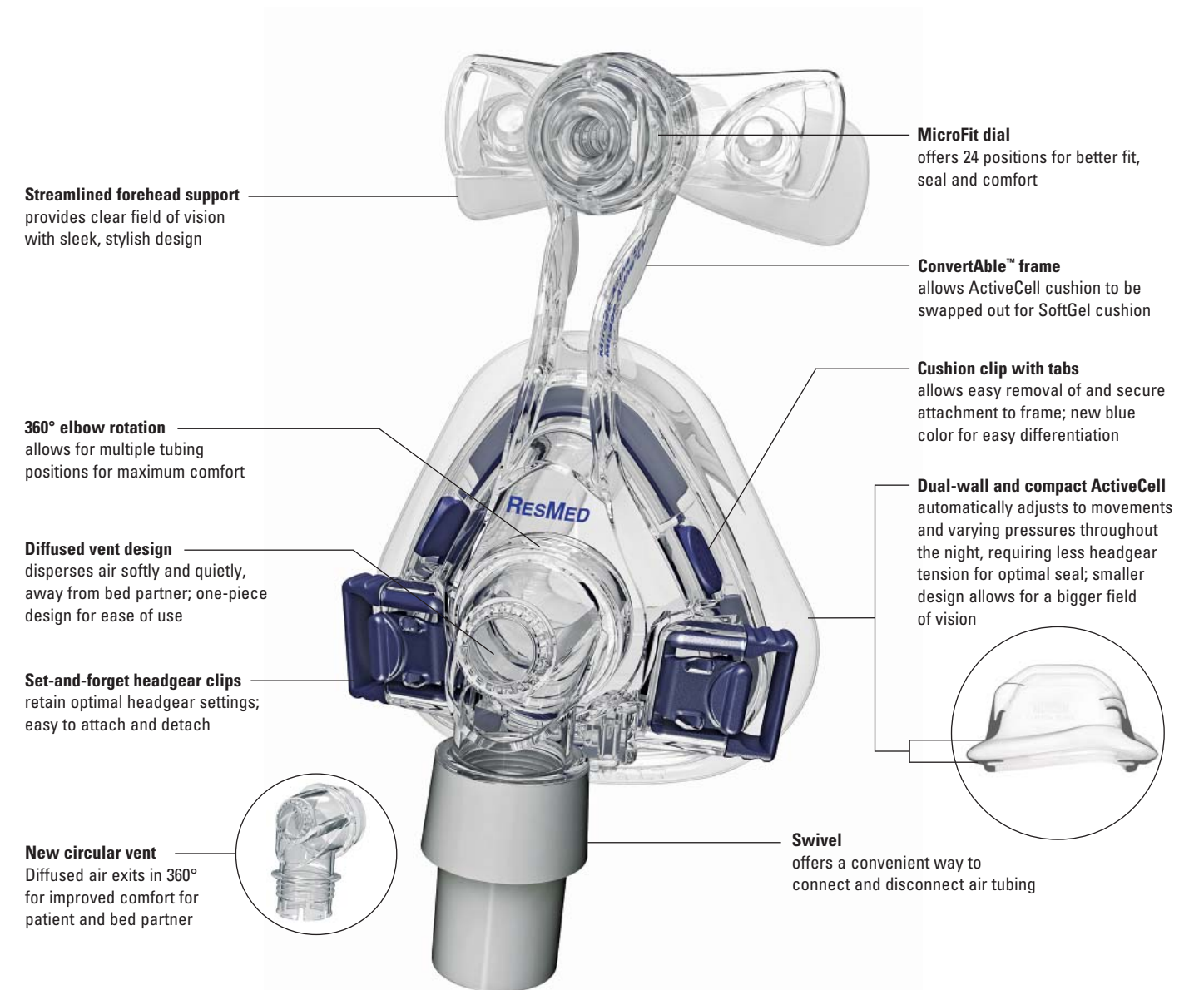
Mirage Activa™ LT

NASAL MASK

Fits right for an easy night

Designed to accommodate every patient and ensure a comfortable, hassle-free night, the Mirage Activa™ LT nasal mask is the only mask you'll ever need. With improved ActiveCell™ technology from ResMed, the Mirage Activa LT's cushion expands and contracts to accommodate movement

and therapy pressure changes throughout the night. The result: a mask that creates a gentle, secure seal and a dynamic defense against leak, and is easy to use for clinicians and patients alike.





ActiveCell expands ...



... and contracts

TECHNOLOGY HIGHLIGHT

Compact ActiveCell technology

While traditional masks create a seal primarily through headgear tension, ResMed's improved ActiveCell cushion is an inflatable chamber that automatically expands and contracts to create a gentle sealing force. No longer just for active sleepers, the Mirage Activa LT's dual-wall cushion helps maintain an effective and comfortable seal for every patient, and varying pressure levels.

- **Auto-seals:** ActiveCell automatically inflates for a quick seal that helps minimize leak all night long
- **Minimal sealing force:** Inflatable cushion seals to face with minimal to no headgear tension, increasing comfort and compliance
- **Self-adjusts:** Accommodates various sleeping positions and pressure settings for a hassle-free night
- **Auto-stabilizing:** Cushion decouples movement from mask to face for an uninterrupted seal

USER BENEFITS

Personalized fit and comfort

- Mirage dual-wall cushion with new compact ActiveCell technology provides comfortable seal and accommodates more sleeping positions and varying pressures
- Automatically adjusts for changes in headgear tension and reduces facial marks
- MicroFit dial fine-tunes fit to suit each user's profile with easy one-handed adjustment
- Deep mask frame design accommodates a greater range of nasal structures

Quiet and streamlined

- Unique design diffuses air quietly and gently for improved comfort for user and bed partner
- 49% quieter than Mirage Activa¹
- Slender frame design and compact cushion for improved field of vision

Intuitively easy

- ActiveCell automatically seals and adjusts, reducing fitting time
- Fewer mask parts for easy cleaning and assembly

PROFESSIONAL BENEFITS

First-time fit for more users

- Combining the MicroFit dial and dual-wall cushion with the new compact ActiveCell technology achieves a perfect fit for a range of facial structures—first time, every time
- Three cushion sizes fit over 91% of users²

Customer satisfaction and compliance

- Increased therapy acceptance through quick and accurate first-time fit
- Minimal headgear tension promotes long term comfort and compliance
- Fewer mask parts for fast and intuitive assembly and disassembly

Cost and time efficiencies

- Reduced fitting and training time
- Reduced callbacks: ease of use and fitting

ConvertAble freedom and choice

- Part of ResMed's exclusive ConvertAble series, offering a choice of two high performance cushions on one durable frame.

PRODUCT CODES

Mirage Activa LT Nasal Mask

Americas	
Small	60182
Medium	60148
Large	60149
Large Wide	60150

REIMBURSEMENT CODES

HCPCS	Code Descriptor
A7034	Nasal mask used with positive airway pressure device, 1 per 3 months
A7032	Replacement cushion for nasal mask, 2 per month
A7035	Headgear used with positive airway pressure device, 1 per 6 months



Mirage Activa™ LT

NASAL MASK

Components Card

Complete system

Product code	Cushion size
60182	Small (S)
60148	Medium (M)
60149	Large (L)
60150	Large Wide (LW)

Frame system*

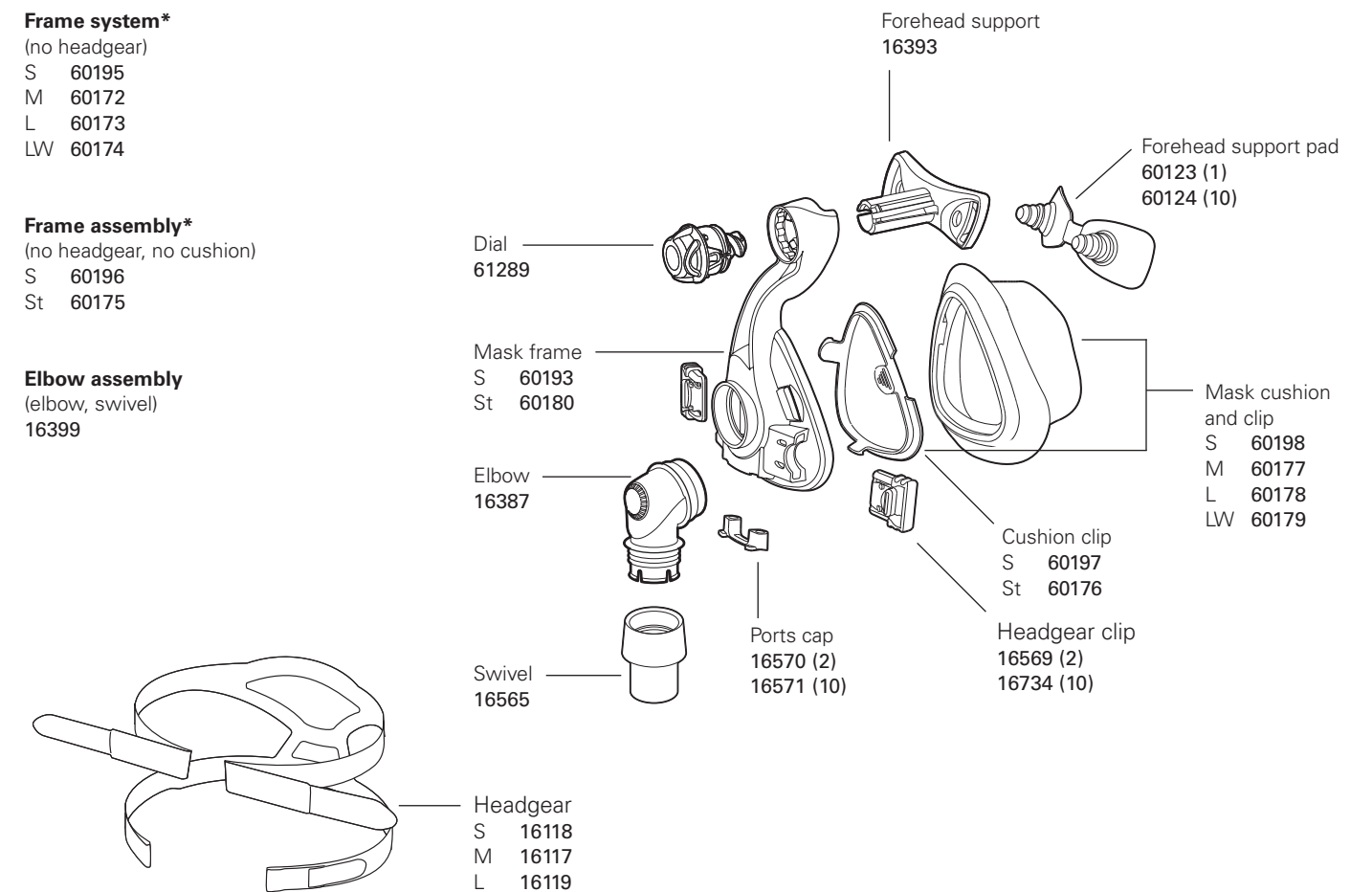
(no headgear)
S 60195
M 60172
L 60173
LW 60174

Frame assembly*

(no headgear, no cushion)
S 60196
St 60175

Elbow assembly

(elbow, swivel)
16399



S Small St Standard M Medium L Large LW Large Wide

*Includes headgear clips

¹ Testing per ISO 3744:1994 Acoustics determination of sound power levels of noise using pressure at 10 cm H₂O. Quoted percentage comparisons are calculated by converting sound power values from a logarithmic scale to a linear scale

² Based on ResMed anthropometric database